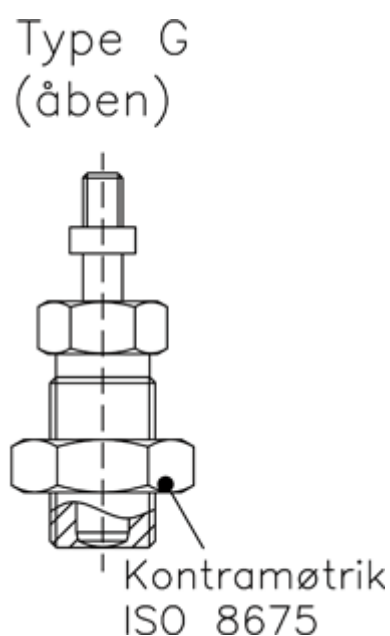
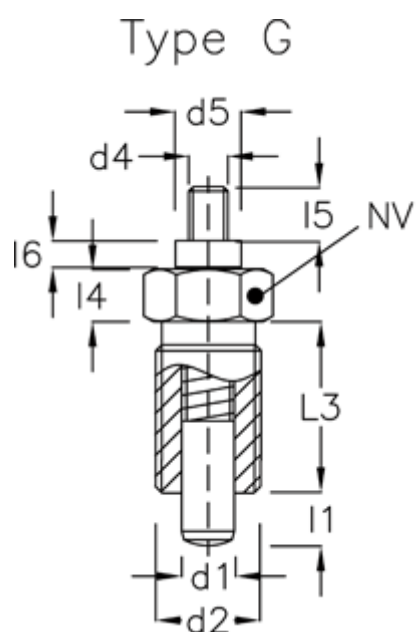


Article number: 20262036

Description: E+G

Indexing plunger GN 817-10-12-G

## Measures



d1 = 10	l6	= 4.0
d2 = M16x1,5	NV	= 17
d4 = M6	Spring pressure N bottom	= 38.0
d5 = 10	Spring pressure N top	= 9.5
l1 = 12		
l3 = 26		
l4 = 8		
l5 = 8.5		